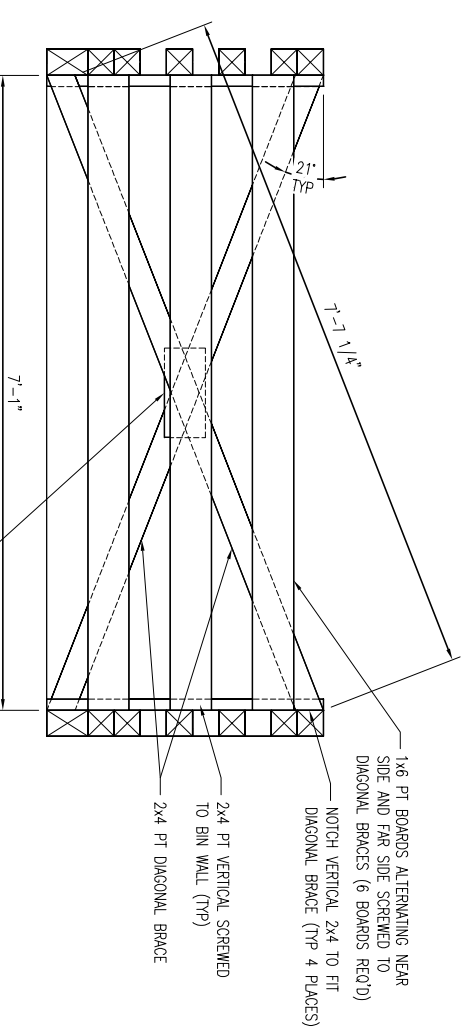
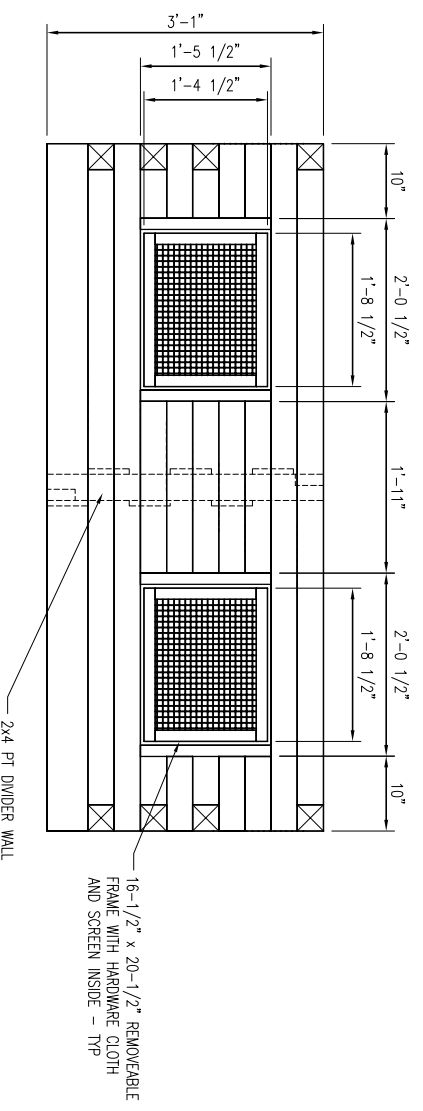
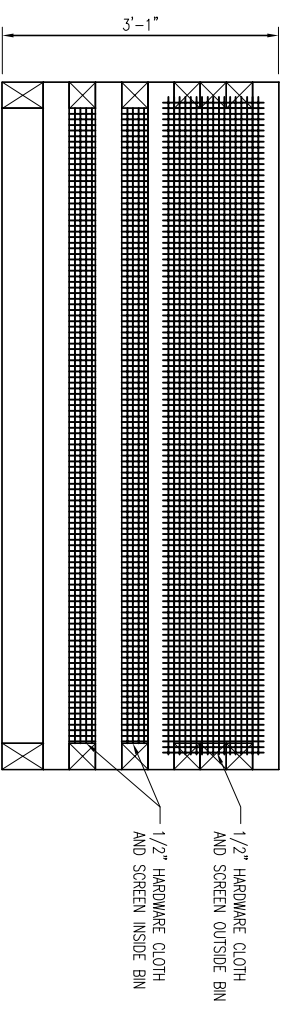
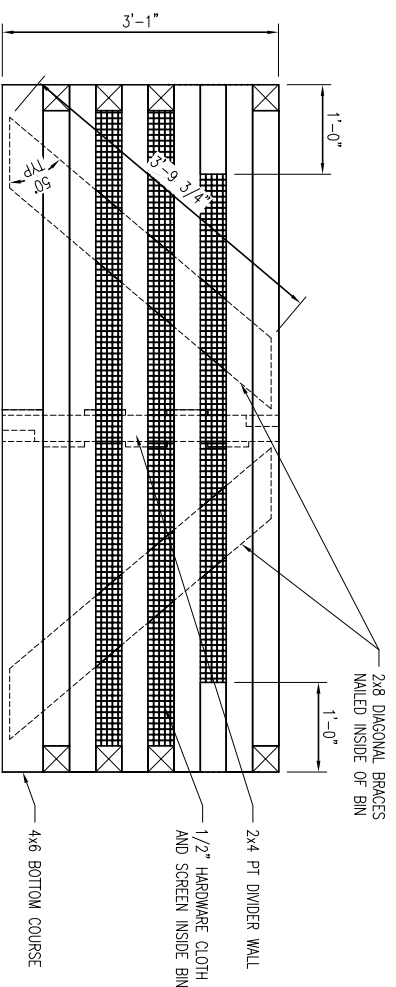
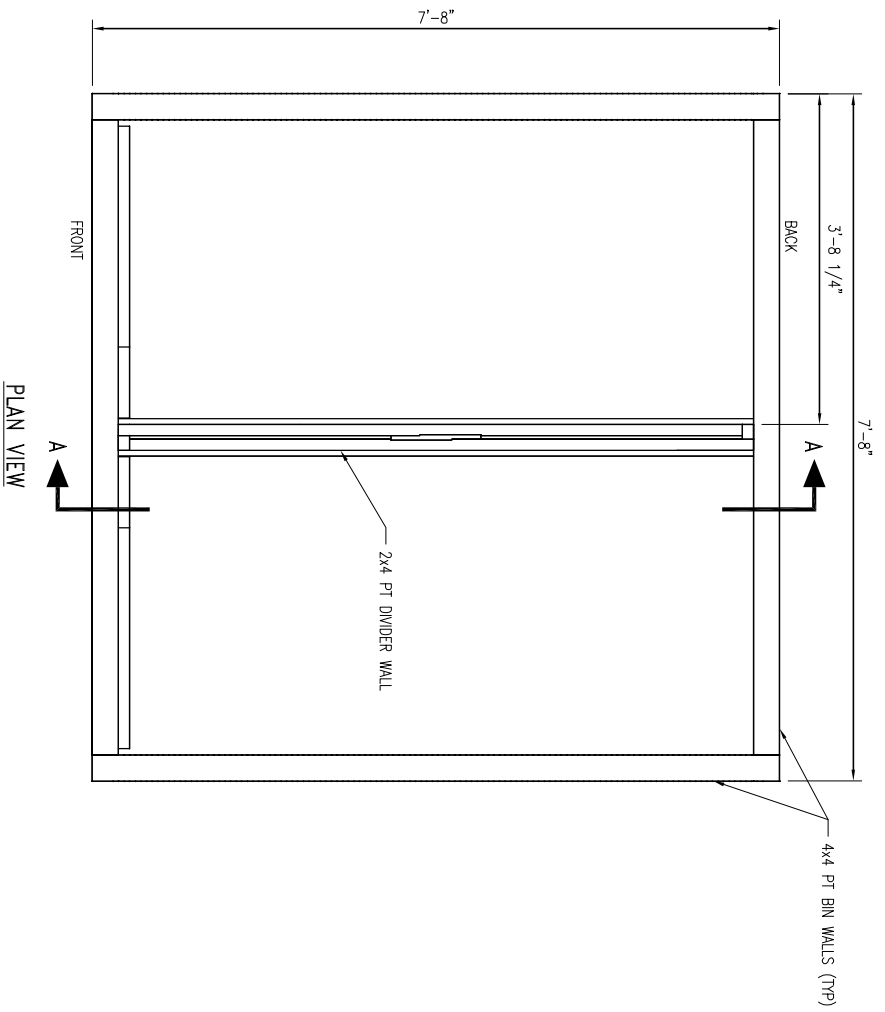


MOULDERING BIN CONSTRUCTION NOTES

- 1) BOTTOM (FIRST) COURSE OF TIMBERS SHALL BE 4 x 6 ON EDGE, APPROXIMATELY BELOW GROUND LEVEL.
- 2) REMAINING COURSES OF BIN SHALL BE TWO PIECES PER COURSE ALTERNATING "LOG CABIN" STYLE TO ALLOW FOR SPACES BETWEEN COURSES.
- 3) ATTACH HARDWARE CLOTH WITH FENDER WASHERS AND SCREWS, THEN SCREEN WITH STAPLE GUN OR STAPLE HAMMER, COMPLETE BEFORE FLOOR FRAMING.

MOULDERING BIN MATERIAL LIST

QTY.	MATERIAL
2	4 x 6 x 7'-8" PT
2	4 x 6 x 7'-1" PT
14	4 x 4 x 7'-8" PT
3	4 x 4 x 7'-1" PT
2	4 x 4 x 1'-0" PT
6	4 x 4 x 10" PT
2	4 x 4 x 1'-11" PT
6	2 x 4 x 8'-0" PT
6	1 x 6 x 8'-0" PT
2	2 x 8 x 4'-6 1/2" PT
1	2 x 8 x 4'-4 3/4" PT
2	2 ROLLS WINDOW SCREEN
2	2 ROLLS 1/2" HARDWARE CLOTH
10 LBS	6" SCREWS
2 LBS	12d GALVANIZED NAILS
100	FENDER WASHERS
100	1-1/2" STAR DRIVE CERAMIC COATED SCREWS
60	6" CONSTRUCTION LASS



THIS MOULDERING PRIVY DESIGN CONFORMS TO THE UNITED STATES FOREST SERVICE OUTDOOR RECREATION ACCESSIBILITY GUIDELINES (FSORAG) AND TRAIL ACCESS GUIDELINES (FS160).

<p>MAINE APPALACHIAN TRAIL CLUB</p>	<p>ACCESSIBLE MOULDERING PRIVY</p>
<p>DRAWN BY: L. CHARTER DATE: 02/01/2015</p> <p>SCALE: 1" = 1'-0"</p> <p>SHEET 1 OF 6 - MOULDERING BIN</p>	