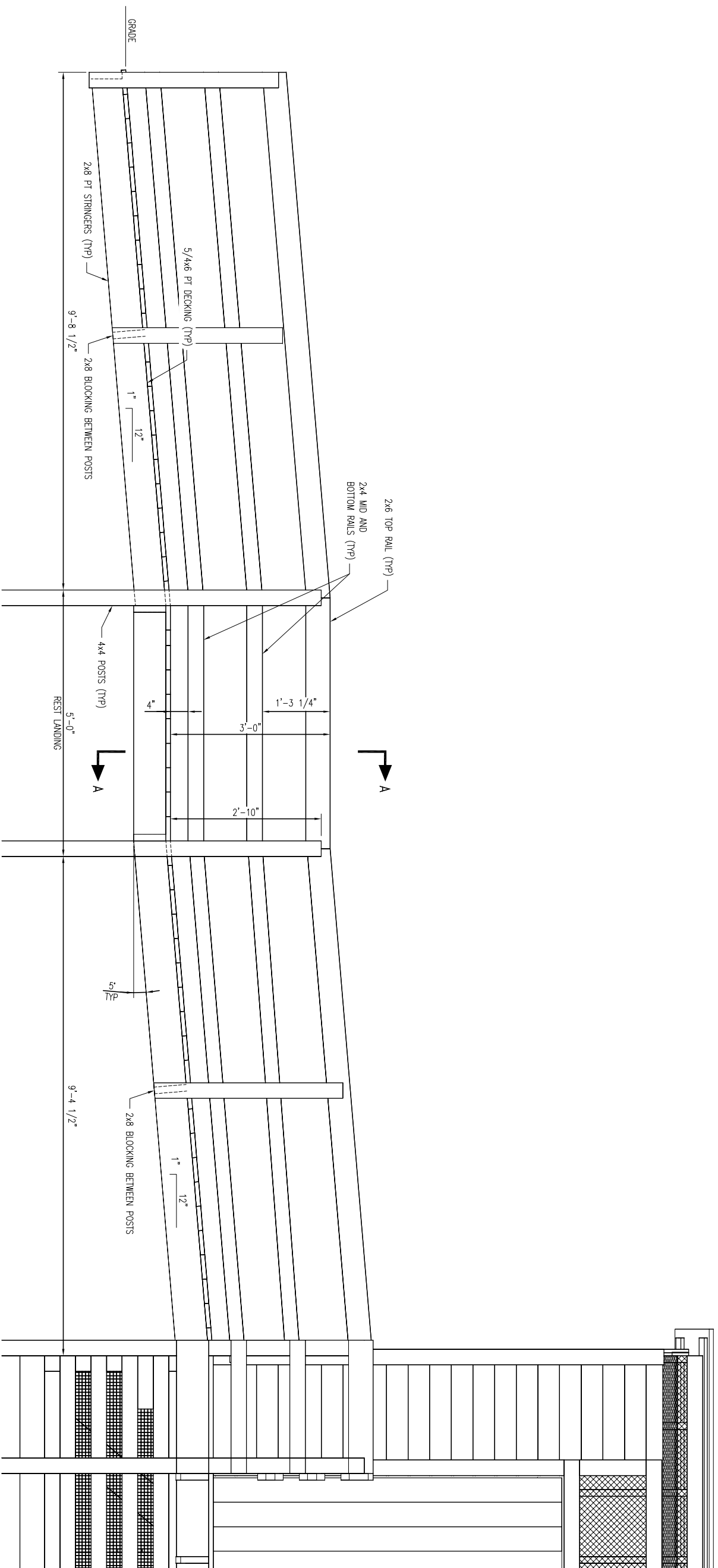


**RAMP CONSTRUCTION NOTES**

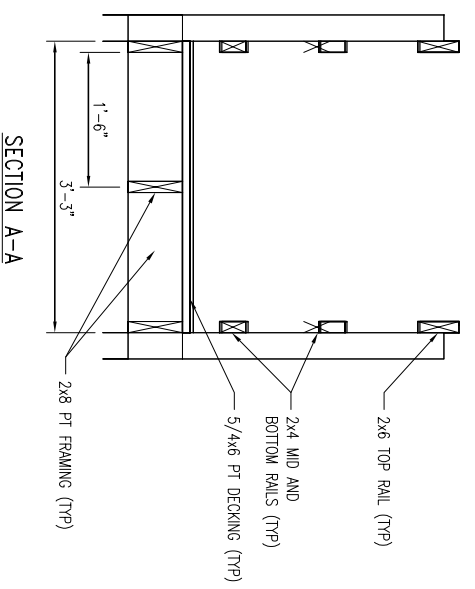
- 1) RAMP MAY BE LOCATED ON EITHER SIDE OR FRONT OF ENTRY DECK DEPENDING ON SITE CONDITIONS.
- 2) RAMP GRADE NOT TO EXCEED 5-8% GRADE: 1:12 GRADE SHOWN = 8%.
- 3) RAMP WIDTH TO PROVIDE 36" MINIMUM CLEARANCE.

**RAMP MATERIAL LIST**

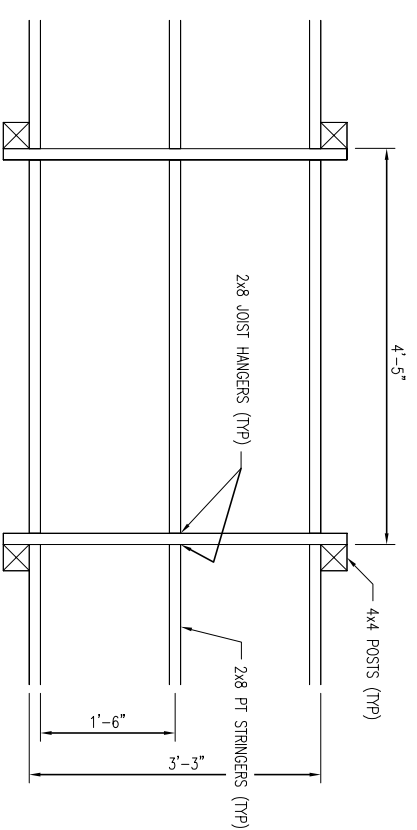
QTY	MATERIAL
8	2 x 8 x 10'-0" PT
10	2 x 4 x 10'-0" PT
5	4 X 4 X 8'-0" PT
15	5/4 x 6 x 10'-0" PT
2 LBS	12# GALVANIZED NAILS
400	2" DECK SCREWS



**SIDE ELEVATION**

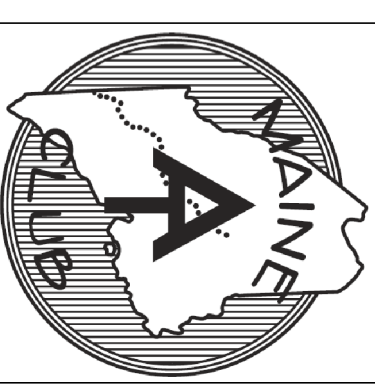


**SECTION A-A**



**PLAN - REST LANDING FRAMING**

NO.	REVISION	DATE
-	-	-



**MAINE APPALACHIAN TRAIL CLUB**

**ACCESSIBLE MOLDERING PRIVY**

DRAWN BY: L. CHARTER DATE: 02/01/2015

SCALE: 1" = 1'-0"

**SHEET 6 OF 6 - RAMP**

THIS MOLDERING PRIVY DESIGN CONFORMS TO THE UNITED STATES FOREST SERVICE OUTDOOR RECREATION ACCESSIBILITY GUIDELINES (FSOR946) AND TRAIL ACCESS GUIDELINES (FSTAG).